

FRITZ HANSEN



VIND

PRODUCT FACT SHEET

VIND

The Vind Series is an outdoor furniture collection by Kasper Salto, defined by a sculptural lightness inspired by sails and the maritime landscape beside Louisiana Museum of Modern Art. With its contemporary expression and practical functionality, the series brings comfort and elegance to both residential spaces and larger hospitality environments.

PRODUCT TYPE

Armchair
Chair
Table

ENVIRONMENT

Outdoor

DESIGNER / YEAR OF DESIGN

Kasper Salto, 2026

ABOUT THE DESIGNER

Kasper Salto is the designer behind Fritz Hansen's Pluralis™ and Little Friend™ series. His design of furniture has sold to prominent places, such as The National Art Center, Tokyo and Louisiana Art Museum, Denmark. In 2004 he founded the design company Salto & Sigsgaard with architect Thomas Sigsgaard, working mainly in the field of product design, lighting and interior.

MODELS

Armchair
Chair
Table

MATERIAL

Metal: Powder coated aluminium
Cord: Solution-dyed polyester
Glides: PA6

MATERIALS IN %:

Armchair:

Aluminium: 87%
Stainless steel: 2%
Polyester: 10%
PA6: 1%

Chair:

Aluminium: 86%
Stainless steel: 2%
Polyester: 11%
PA6: 1%

Table:

Aluminium: 98,5%
Stainless steel: 1%
PA6: 0,5%

FEATURES

Armchair/Chair: Stackable up to 6 chairs

SURFACES

The series is available in two colours:



HUNTER GREEN



MIST GREY

MADE-TO-ORDER

N/A

CERTIFICATION

For more information about environment and manufacturing processes, please download our environmental information sheet at: [fritzhanzen.com](https://www.fritzhanzen.com)

TEST

Seating:

- EN 16139 Strength, durability and safety – Requirements for non-domestic seating - Level 2
- EN 1022 Determination of stability - Domestic furniture – Seating
- ANSI/BIFMA X6.4 – 2021

Table:

- EN 15372 Strength, durability and safety – Requirements for non-domestic tables - Level 2
- EN 1730 Determination of stability - Domestic furniture – Tables

WEIGHT

Armchair 4,9 kg / 10.8 lb
Chair 4,7 kg / 10.4 lb
Table 20 kg / 44.1 lb

COUNTRY OF ORIGIN

China

PRE-ASSEMBLED

Armchair Yes
Chair Yes
Table No

PACKAGING

The units are shipped in cardboard box. Inside the box, the items are wrapped in a PE bag to protect from dust, as well as vulnerable corners are protected with PE foam. All packaging material can be recycled depending on local capability.

CLEANING AND CARE

Find recommendations for cleaning and care at: [fritzhanzen.com/maintenance](https://www.fritzhanzen.com/maintenance)

REPAIR, DISPOSAL AND REUSE

In case of repair and disposal, the chair and table can be disassembled and replaced/disposed accordingly. Check local regulations for recycling options and whether there is potential for reuse.

WARRANTY

Fritz Hansen provides a five-year warranty on standard products against defects in materials and workmanship.

Additional warranty conditions can be found at: fritzhansen.com/warranty

VARIANTS

ARMCHAIR



HUNTER GREEN
1393000

ARMCHAIR



MIST GREY
1393001

CHAIR



HUNTER GREEN
1393002

CHAIR



MIST GREY
1393003

TABLE



HUNTER GREEN
1393004

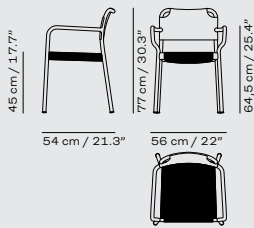
TABLE



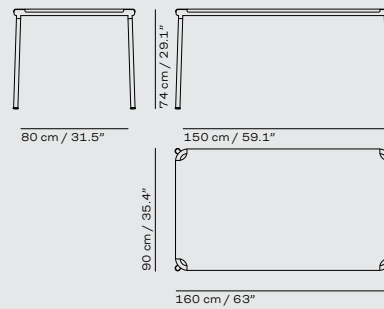
MIST GREY
1393005

DIMENSIONS

ARMCHAIR



TABLE



CHAIR

